



SUPERIOR PRODUCTS

QUALITY • INNOVATION

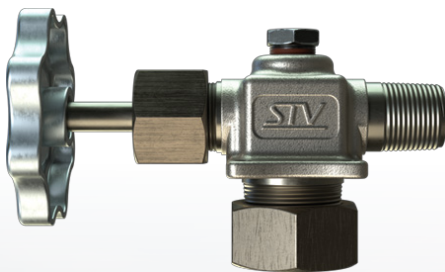
STV-IOM

Superior Tubular Valve

INSTRUCTION & OPERATION MANUAL

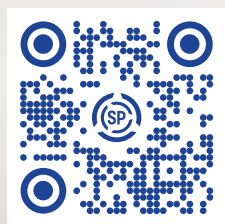
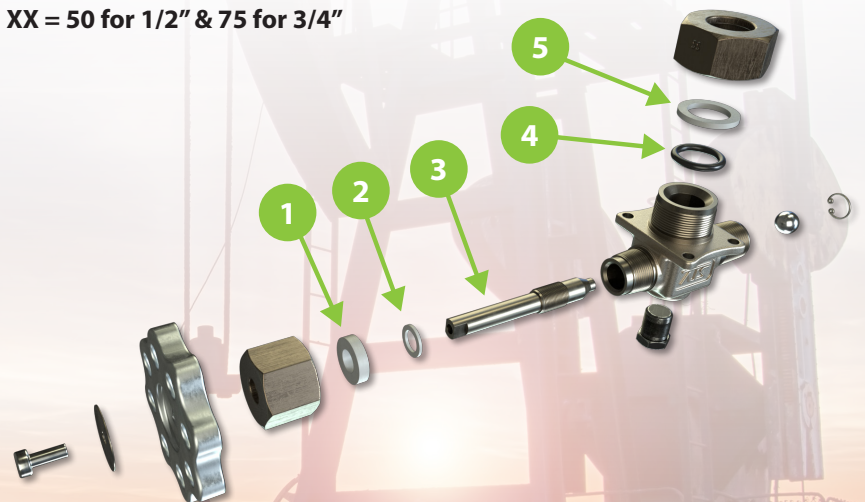
1. Before installation, turn the handwheel of both valves to the closed position.
2. Install both Upper and Lower Valves to the vessel, using Teflon tape and or thread sealing compound. Tighten each valve, until you can see the glass glands on the Upper and Lower valves have aligned for glass installation.
3. Positioning the Valves for gauge installation. Turn the Upper valve approximately an 1/8" of a turn off center, this will allow you to insert your gauge into the Upper valve.
4. Before, inserting your gauge remove/transfer the gland nut, washer and o-ring to the ends of the gauge.
5. To install the gauge, first insert one end of the gauge into the Upper valve gland. Thread the gland nut onto the gauge, make sure to keep the gland nut loose enough for a little bit of play. Next, turn the Upper valve with the gauge inserted, to line up the gauge and insert it into the Lower valve. Loosely tighten the Lower valve gland to ensure that everything is in place for both the Upper and Lower valves (Gland nut started on both, with a washer and o-ring between the washer and the valve body).
6. When making up the gauge connection be sure to fully seat the gauge in the Lower valve (Gradually pull the gauge down into the Lower valve gland, until you reach a positive seat). Tighten the Lower valve gland with the gauge fully seated. Once the lower valve has been tightened, simply tighten the Upper valve gland.
7. To test connections slowly turn the handwheel to open each valve and let the system equalize (pressure & temperature). Once gauge has been given a few minutes to equalize, turn both handwheels to the full open position, to ensure that the ball checks function properly in the even of a gauge failure.
8. You have completed the installation of a new gauge and gauge valves. On to the next project.

WARNING: THE SUPERIOR STV IS DESIGNED TO WORK IN MANY APPLICATIONS, STEAM-WATER APPLICATIONS ARE ACCEPTABLE ONLY AFTER THE BALL CHECKS HAVE BEEN REMOVED FROM BOTH UPPER AND LOWER GAUGE VALVES.



PARTS

1. Stem Packing, PTFE, 1/valve | **PN: STV-10**
2. Stem Packing Retaining Washer, SS, 1/valve | **PN: STV-SS-7**
3. Valve Stem, SS, 1/valve | **PN: STV-SS-9**
4. Glass Packing, Viton, 1/valve | **PN: OR-208-VT**
5. Glass Packing Washer, SS, 1/valve
PN: STV-XXSS-5
XX = 50 for 1/2" & 75 for 3/4"



SCAN CODE
to view
full website